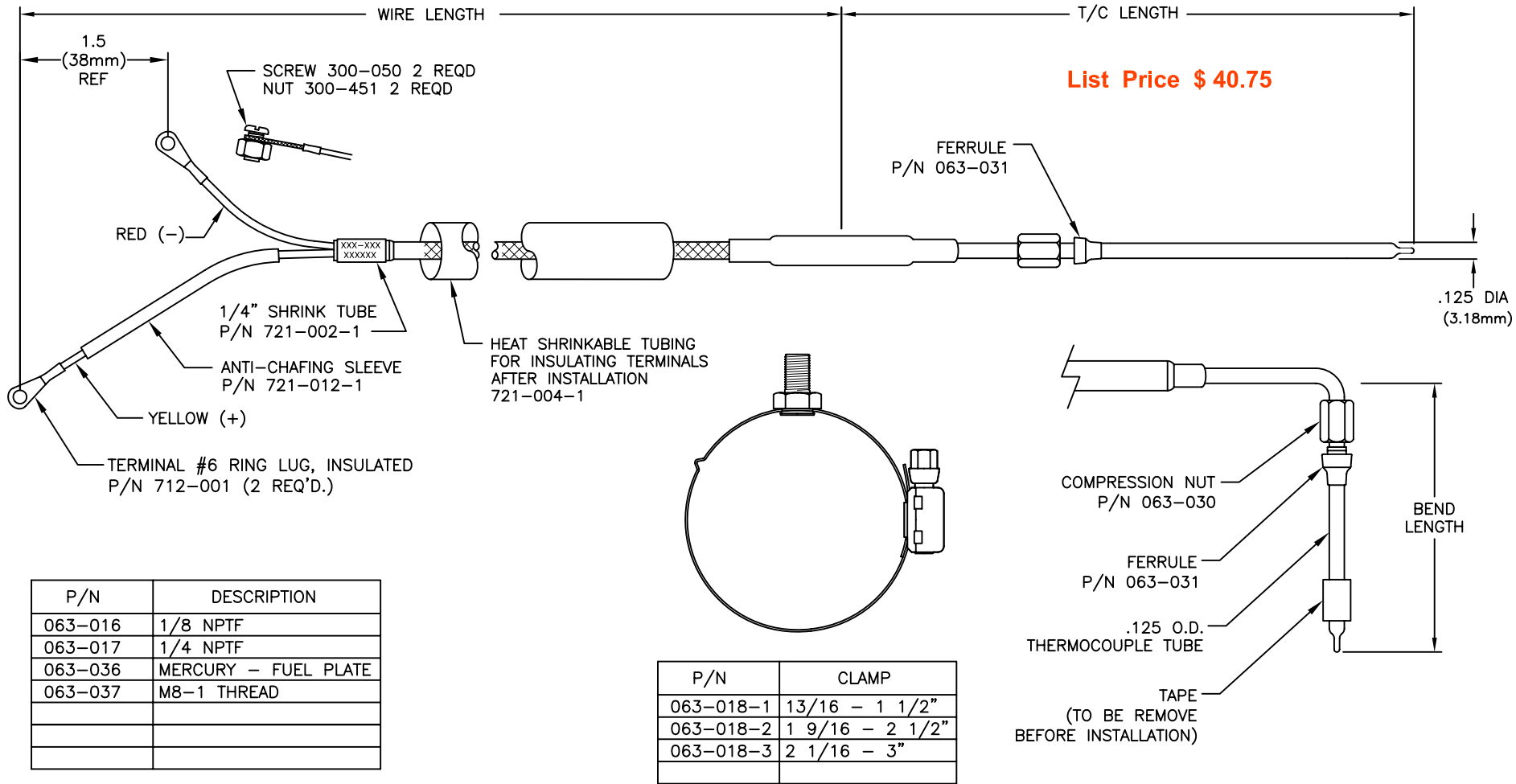


PART NO. 015-XXX	TERMINATION				WIRE LENGTH	WIRE SPEC.	FITTING	T/C LENGTH	BEND LENGTH
	ORDERING	1 #6 LUG	2 METRI-PACK	3 WEATHERPACK	4 OTHER				



P/N	DESCRIPTION
063-016	1/8 NPTF
063-017	1/4 NPTF
063-036	MERCURY - FUEL PLATE
063-037	M8-1 THREAD

P/N	CLAMP
063-018-1	13/16 - 1 1/2"
063-018-2	1 9/16 - 2 1/2"
063-018-3	2 1/16 - 3"

P/N	TYPE	GAGE	SOLID	STRANDED
713-020	K	18	X	
713-029	K	18		X

2

REVISIONS					TOLERANCES		HEWITT INDUSTRIES OF LOS ANGELES	
REV.	DESCRIPTION	EO#	DATE	BY	UNLESS OTHERWISE SPECIFIED:		TITLE:	
1	ENGINEERING RELEASE	-	10/08/08	EGM			THERMOCOUPLE ASSEMBLY	
2	CORRECTED & SORTED THE PART NUMBER	-	01/22/09	EGM			DRAWN BY: E.MARIANO	
							APPR. BY: J. HEWITT	
					SCALE: NONE		DATE: 10/08/08	
							PART NO. 015-XXX	
							SHEET 1 OF 1	